

**P
07** **SDCV
STANDARD
FLOAT VALVE**

TYPE: 23 Series
MWP: 1600kPa

The 23 series is a cost effective, reliable product designed specifically for applications in the building services, fire services, mining and irrigation markets. The reinforced diaphragm is designed to operate across the complete pressure range of the vale, providing leak tight shut off and stable control.

The Body and Cover are manufactured from FBE coated Ductile iron for added strength, reduced weight and corrosion protection.

Applications:

A remotely located ball float pilot is used to open or close the main valve and control the tank level.

Both cistern cock and sliding float style pilots are available to suit a range of tank types and applications.

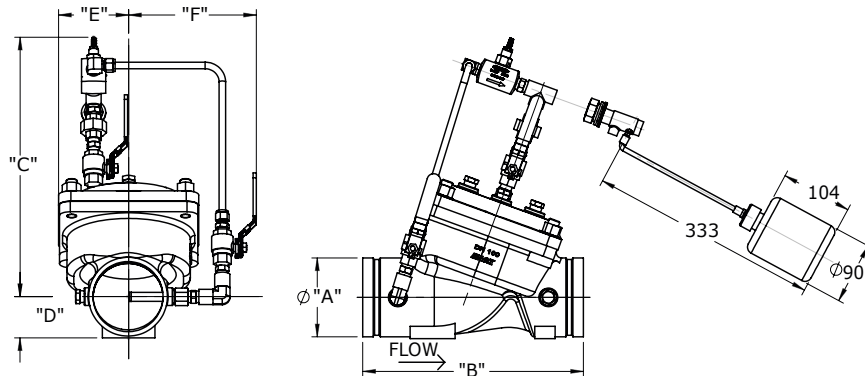


Sizing and Performance

Maximum operation pressure 1600kPa
Minimum differential pressure 35 kPa
Maximum operating temperture 70c

Single Diaphragm Control Valves

23	#	##	###
Base No.	- Body Material	- Pilot Configuration	- Size
23	6 Ductile Iron	23 Standard Float Valve	050
23	6 Ductile Iron	23 Standard Float Valve	080
23	6 Ductile Iron	23 Standard Float Valve	100
23	6 Ductile Iron	23 Standard Float Valve	150



Dimensions							Flow Range (L/sec)	LPS/√kPa	USGPM/√psi	m3/Hr/√M	Volume of cover chamber (L)	Weight (Kg)
A Inlet OD	B Length	C C/Line To Top	D C/Line To Bottom	E Width	F Width							
50mm	60.3	205	300	35	65	170	0.7-14.5	1.45	60.6	4.5	0.16	7
80mm	88.9	250	330	50	85	180	1.5-28.0	2.95	122.9	9.2	0.38	13
100mm	114.3	320	375	60	105	195	1.8-50.0	5.10	214.5	15.8	0.73	20.5
150mm	165.1	415	400	85	145	225	2.5-112.0	11.50	476.0	35.6	2.00	48

