

**P01 SDCV RELIEF / SUSTAINING VALVE**

TYPE: 23 Series  
MWP: 1600kPa

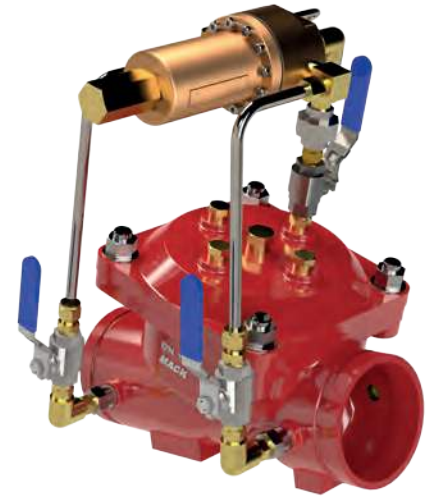
The 23 series is a cost effective, reliable product designed specifically for applications in the building services, fire services, mining and irrigation markets. The reinforced diaphragm is designed to operate across the complete pressure range of the valve, providing leak tight shut off and stable control.

The Body and Cover are manufactured from FBE coated Ductile iron for added strength, reduced weight and corrosion protection.

**Applications:**

Maintains upstream or inlet pressure to required set point. These valves are commonly used to bleed off excess system pressure or protect critical services from being starved of water.

Quick opening and smooth closing they offer a significant improvement in system performance and quietness compared to traditional direct acting relief valves.



**Sizing and Performance**

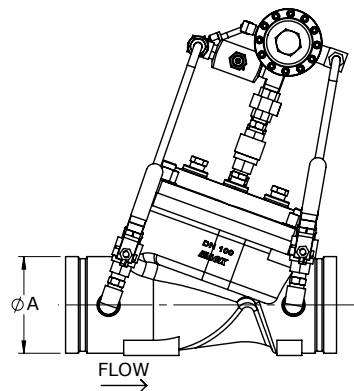
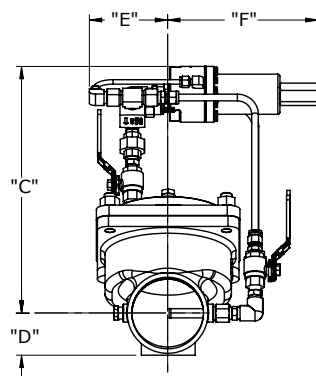
Maximum operation pressure 1600kPa  
Minimum differential pressure 35 kPa  
Maximum operating temperature 70c

**ACTIVFIRE Approvals**

Mack series 23 valves have been assessed by the CSIRO as conforming to the relevant sections of Australian Standards: 4118.1.5-1996 & 4118.1.8-1999

**Single Diaphragm Control Valves**

23	#	##	###			
Base No.	-	Body Material	-	Pilot Configuration	-	Size
23	6	Ductile Iron	13	Sustaining / Relief		050
23	6	Ductile Iron	13	Sustaining / Relief		080
23	6	Ductile Iron	13	Sustaining / Relief		100
23	6	Ductile Iron	13	Sustaining / Relief		150

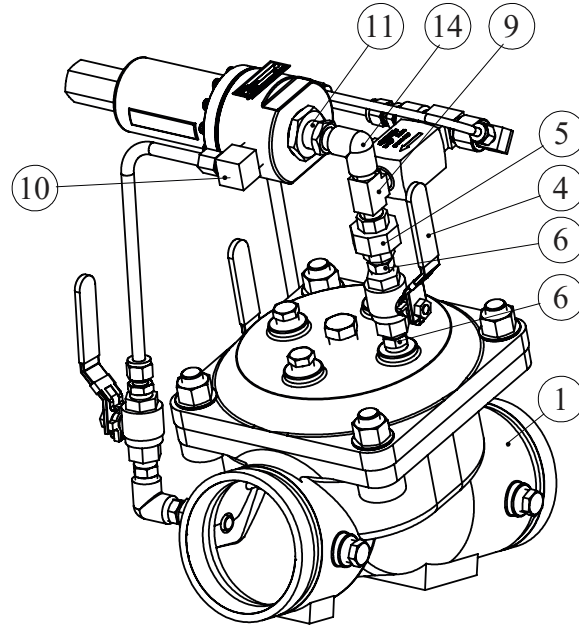
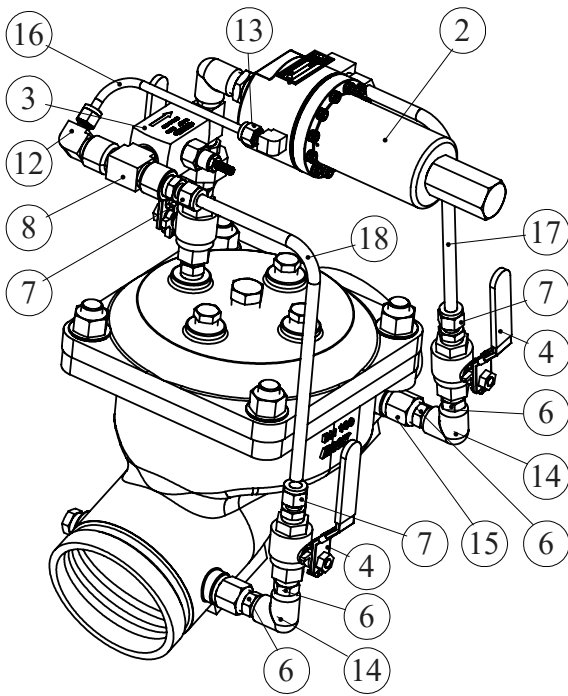


Dimensions										Volume of cover chamber (L)	Weight (Kg)	
	A Inlet OD	B Length	C C/Line To Top	D C/Line To Bottom	E Width	F Width	Flow Range (L/sec)	LPS/√kPa	USGPM/√psi			m3/Hr/√M
50mm	60.3	205	310	35	100	240	0.7-14.5	1.45	60.6	4.5	0.16	10
80mm	88.9	250	340	50	105	235	1.5-28.0	2.95	122.9	9.2	0.38	16
100mm	114.3	320	350	60	115	215	1.8-50.0	5.10	214.5	15.8	0.73	23.5
150mm	165.1	415	430	85	145	220	2.5-112.0	11.50	476.0	35.6	2.00	51

## SDCV RELIEF/SUSTAINING VALVE

P  
02

TYPE: 23 Series  
MWP: 1600kPa



Item No.	Part Number	Description	Material	Qty
01	23-6-XXX	SDCV MAIN VALVE ASSY.	Refer BOM	01
02	427-1-015	PRESSURE SUSTAINING/RELIEF. PILOT.	Refer BOM	01
03	428-2-010	NEEDLE VALVE.	Refer BOM	01
04	5098-010	BALL VALVE BSPT.	SS/PTFE	03
05	9202-C03-034	BARREL UNION 3/8" BSPP FEMALE x FEMALE.	A.B.BRASS	01
06	9215-C03-034	HEX NIPPLE 3/8" BSPT MALE.	A.B.BRASS	06
07	9206-C03-034	STRAIGHT CONNECTOR, 3/8" BSPT x 3/8" TUBE.	A.B.BRASS	03
08	9235-C03-034	FEMALE BRANCH TEE 3/8" BSPT.	A.B.BRASS	01
09	9234-C03-034	ALL MALE TEE 3/8" BSPT.	A.B.BRASS	01
10	9213-C03-034	ELBOW 1/2" BSPT MALE x 3/8" TUBE.	A.B.BRASS	01
11	9221-D03-034	REDUCING NIPPLE.	A.B.BRASS	01
12	9213-A02-034	ELBOW 1/8" BSPT MALE x 1/4" TUBE.	A.B.BRASS	01
13	9213-C02-034	ELBOW 3/8" BSPT MALE x 1/4" TUBE.	A.B.BRASS	01
14	9209-C03-034	ALL FEMALE ELBOW, 3/8" BSPT.	A.B.BRASS	03
15	7116-001-360	BUSH.	S.S. A479	01
16	7105-024-021	1/4" SENSE TUBE TO BE TRIMMED.	S.S.	01
17	7105-027-021	3/8" OUTLET TUBE TO BE TRIMMED.	S.S.	01
18	7105-027-021	3/8" INLET TUBE TO BE TRIMMED.	S.S.	01