

**P  
03 SDCV  
REDUCING  
VALVE**

TYPE: 23 Series  
MWP: 1600kPa

The 23 series is a cost effective, reliable product designed specifically for applications in the building services, fire services, mining and irrigation markets. The reinforced diaphragm is designed to operate across the complete pressure range of the valve, providing leak tight shut off and stable control.

The Body and Cover are manufactured from FBE coated Ductile iron for added strength, reduced weight and corrosion protection.

**Applications:**

Maintains a constant (lower) downstream pressure irrespective of Inlet pressure fluctuations.

Pressure reducing valves are commonly used to limit excessive pressures on downstream piping and equipment caused by excessive gradients and building height.

They are also useful in limiting water usage by restricting downstream pressure and losses.



**Sizing and Performance**

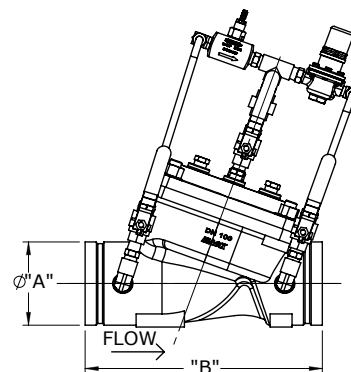
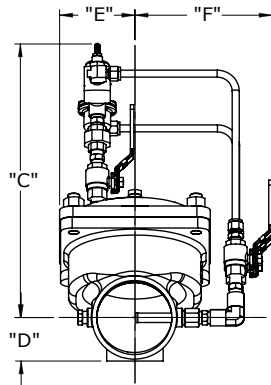
Maximum operation pressure 1600kPa  
Minimum differential pressure 35 kPa  
Maximum operating temperature 70c

**ACTIVFIRE Approvals**

Mack series 23 valves have been assessed by the CSIRO as conforming to the relevant sections of Australian Standards: 4118.1.5-1996 & 4118.1.8-1999

**Single Diaphragm Control Valves**

23	#			##			###	
Base No.	-	Body Material		-	Pilot Configuration		-	Size
23	6	Ductile Iron		18	Pressure Reducing		050	
23	6	Ductile Iron		18	Pressure Reducing		080	
23	6	Ductile Iron		18	Pressure Reducing		100	
23	6	Ductile Iron		18	Pressure Reducing		150	

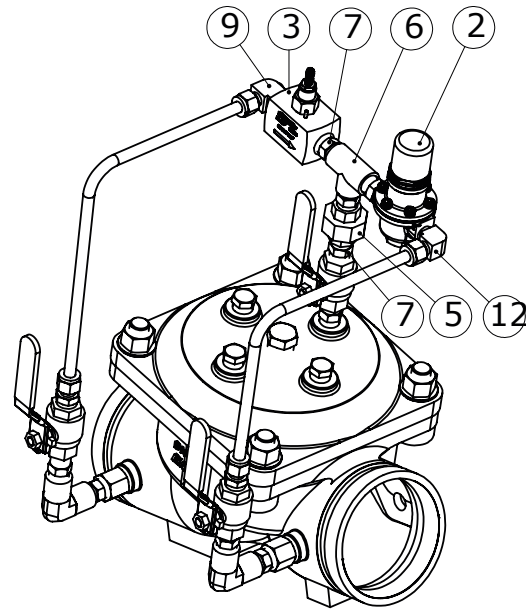
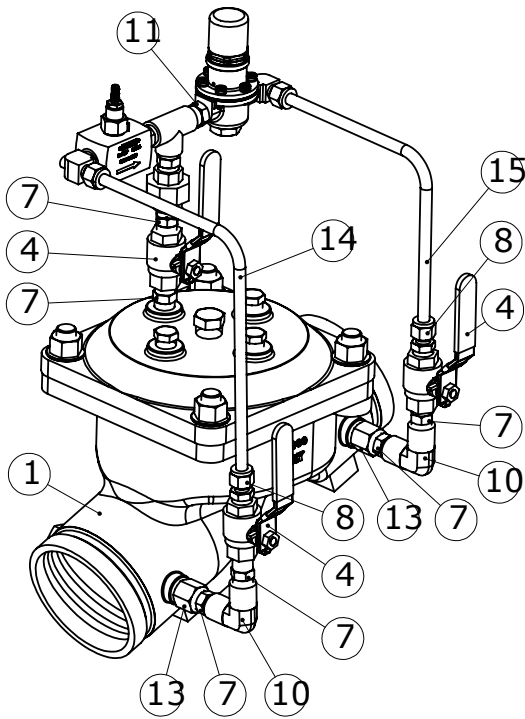


Dimensions							Flow Range (L/sec)	LPS/√kPa	USGPM/√psi	m3/Hr/√M	Volume of cover chamber (L)	Weight (Kg)
A Inlet OD	B Length	C C/Line To Top	D C/Line To Bottom	E Width	F Width							
50mm	60.3	205	320	35	65	170	0.7-14.5	1.45	60.6	4.5	0.16	7
80mm	88.9	250	350	50	90	175	1.5-28.0	2.95	122.9	9.2	0.38	13
100mm	114.3	320	380	60	105	185	1.8-50.0	5.10	214.5	15.8	0.73	20.5
150mm	165.1	415	440	85	145	220	2.5-112.0	11.50	476.0	35.6	2.00	48

## SDCV REDUCING VALVE

**P  
04**

TYPE:23 Series  
MWP: 1600 kPa



Item No.	Part Number	Description	Material	Qty
01	23-6-XXX	SDCV MAIN VALVE ASSY.	Refer BOM	01
02	7838X-A9-008	REDUCING VALVE	Refer BOM	01
03	428-2-010	NEEDLE VALVE	Refer BOM	01
04	5098-010	BALL VALVE BSPT	SS/PTFE	03
05	9202-C03-034	BARREL UNION 3/8" BSPP FEMALE x FEMALE	A.B.BRASS	01
06	9224-C03-034	ALL FEMALE TEE 3/8" BSPT	A.B.BRASS	01
07	9215-C03-034	HEX NIPPLE 3/8 BSPT MALE	A.B.BRASS	08
08	9206-C03-034	STRAIGHT CONNECTOR 3/8 BSPT X 3-8" TUBE	A.B.BRASS	02
09	9213-C03-034	ELBOW CONNECTOR 3/8 BSPT X 3-8" TUBE	A.B.BRASS	01
10	9209-C03-034	ELBOW 3/8" BSPT FEMALE - FEMALE	A.B.BRASS	02
11	9221-D03-034	REDUCING NIPPLE	A.B.BRASS	01
12	9213-B03-034	1-4" BSPT X 3/8" TUBE ELBOW CONNECTOR	A.B.BRASS	01
13	7116-001-360	BUSH	S.S. A479	01
14	7105-027-021	INLET TUBE TO BE TRIMMED	S.S.	01
15	7105-027-021	OUTLET TUBE TO BE TRIMMED.	S.S.	01