

**P
09**

**SDCV
MODULATING
FLOAT VALVE**

TYPE: 23 Series
MWP: 1600kPa

The 23 series is a cost effective, reliable product designed specifically for applications in the building services, fire services, mining and irrigation markets. The reinforced diaphragm is designed to operate across the complete pressure range of the valve, providing leak tight shut off and stable control.

The Body and Cover are manufactured from FBE coated Ductile iron for added strength, reduced weight and corrosion protection.

Applications:

The modulating float control valve maintains a relatively constant level in storage tanks by admitting flow into the tank in direct proportion to the flow out of the tank.

As the liquid level changes, the modulating float operated pilot control adjusts flow out of the diaphragm chamber and proportionally opens or closes the main valve, keeping the liquid level relatively constant.

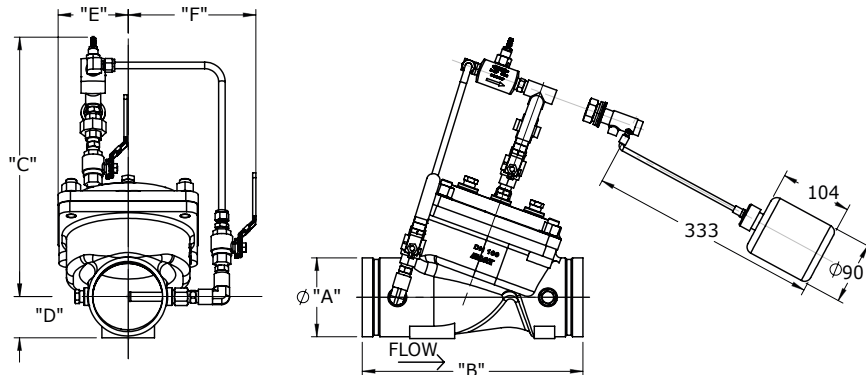


Sizing and Performance

Maximum operation pressure 1600kPa
Minimum differential pressure 35 kPa
Maximum operating temperature 70c

Single Diaphragm Control Valves

23	#	##	###
Base No.	Body Material	Pilot Configuration	Size
23	6 Ductile Iron	25 Modulating Float Valve	050
23	6 Ductile Iron	25 Modulating Float Valve	080
23	6 Ductile Iron	25 Modulating Float Valve	100
23	6 Ductile Iron	25 Modulating Float Valve	150

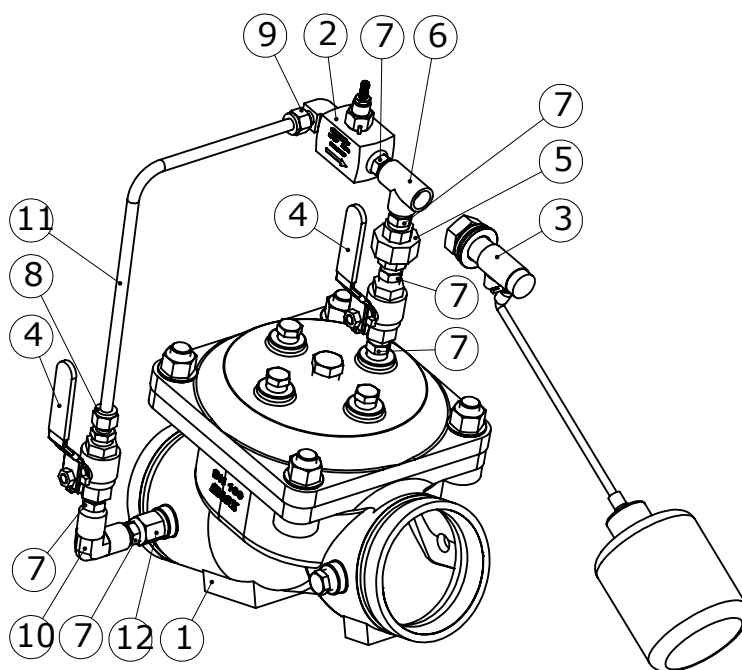


Dimensions							Flow Range (L/sec)	LPS/√kPa	USGPM/√psi	m3/Hr/√M	Volume of cover chamber (L)	Weight (Kg)
A Inlet OD	B Length	C C/Line To Top	D C/Line To Bottom	E Width	F Width							
50mm	60.3	205	300	35	65	170	0.7-14.5	1.45	60.6	4.5	0.16	7
80mm	88.9	250	330	50	85	180	1.5-28.0	2.95	122.9	9.2	0.38	13
100mm	114.3	320	375	60	105	195	1.8-50.0	5.10	214.5	15.8	0.73	20.5
150mm	165.1	415	400	85	145	225	2.5-112.0	11.50	476.0	35.6	2.00	48

SDCV MODULATING FLOAT VALVE

**P
10**

TYPE:23 Series
MWP: 1600 kPa



Item No.	Part Number	Description	Material	Qty
01	23-6-XXX	SDCV MAIN VALVE ASSY.	Refer BOM	01
02	428-2-010	NEEDLE VALVE	Refer BOM	01
03	434-1-015	MODULATING FLOAT VALVE	Refer BOM	01
04	5098-010	BALL VALVE BSPT	SS/PTFE	02
05	9202-C03-034	BARREL UNION 3/8" BSPP FEMALE x FEMALE	A.B.BRASS	01
06	9224-C03-034	ALL FEMALE TEE 3/8" BSPT	A.B.BRASS	01
07	9215-C03-034	HEX NIPPLE 3/8" BSPT MALE	A.B.BRASS	06
08	9206-C03-034	STRAIGHT CONNECTOR 3/8" BSPT X 3/8" TUBE	A.B.BRASS	01
09	9213-C03-034	ELBOW CONNECTOR 3/8" BSPT X 3/8" TUBE	A.B.BRASS	01
10	9209-C03-034	ELBOW 3/8" BSPT FEMALE - FEMALE	A.B.BRASS	01
11	7105-027-021	INLET TUBE TO BE TRIMMED	S.S.	01