

**P
05**

**SDCV
MAIN
VALVE**

TYPE: 23 Series
MWP: 1600kPa

The 23 series is a cost effective, reliable product designed specifically for applications in the building services, fire services, mining and irrigation markets. The reinforced diaphragm is designed to operate across the complete pressure range of the valve, providing leak tight shut off and stable control.

The Body and Cover are manufactured from FBE coated Ductile iron for added strength, reduced weight and corrosion protection.

Applications:

The 23 Series range comes standard in ductile iron, FBE coated, and is available in sizes from 50mm to 150mm.

It is a diaphragm style valve, which is self-resetting, giving ease and reliability.

Mack's 23 series is used across the Fire Protection industries, wherever the demand for absolute dependability exists. It can be fitted for in variety of configurations, to ensure it does the job you need.



Sizing and Performance

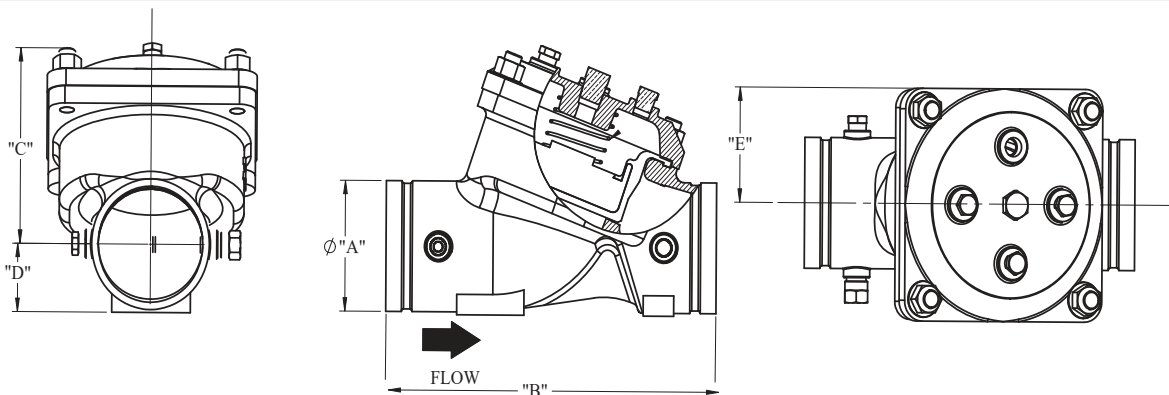
Maximum operation pressure 1600kPa
Minimum differential pressure 35 kPa
Maximum operating tempature 70c

ACTIVFIRE Approvals

Mack series 23 valves have been assessed by the CSIRO as conforming to the relevant sections of Australian Standards: 4118.1.5-1996 & 4118.1.8-1999

Single Diaphragm Control Valves

23	#	##	###	
Base No.	-	Body Material	-	
		Pilot Configuration	-	
			Size	
23	6	Ductile Iron	22 No Pilot	050
23	6	Ductile Iron	22 No Pilot	080
23	6	Ductile Iron	22 No Pilot	100
23	6	Ductile Iron	22 No Pilot	150



Dimensions							Flow Range (L/sec)	LPS/√kPa	USGPM/√psi	m3/Hr/√M	Volume of cover chamber (L)	Weight (Kg)
A Inlet OD	B Length	C C/Line To Top	D C/Line To Bottom	E Width	F Width							
50mm	60.3	205	101	35	65	170	0.7-14.5	1.45	60.6	4.5	0.16	5
80mm	88.9	250	141	50	85	175	1.5-28.0	2.95	122.9	9.2	0.38	10
100mm	114.3	320	171	60	105	185	1.8-50.0	5.10	214.5	15.8	0.73	19
150mm	165.1	415	251	85	145	220	2.5-112.0	11.50	476.0	35.6	2.00	43