



Mack's diaphragm controlled Pressure Build & Reducing valves have been designed to give you piece of mind, knowing that your system is operating at exactly the pressure it should be to deliver maximum results.

This valve additionally aids in managing unwanted pressure fluctuations, to ensure your system is operating at its optimum settings.

SELECTION & APPLICATION

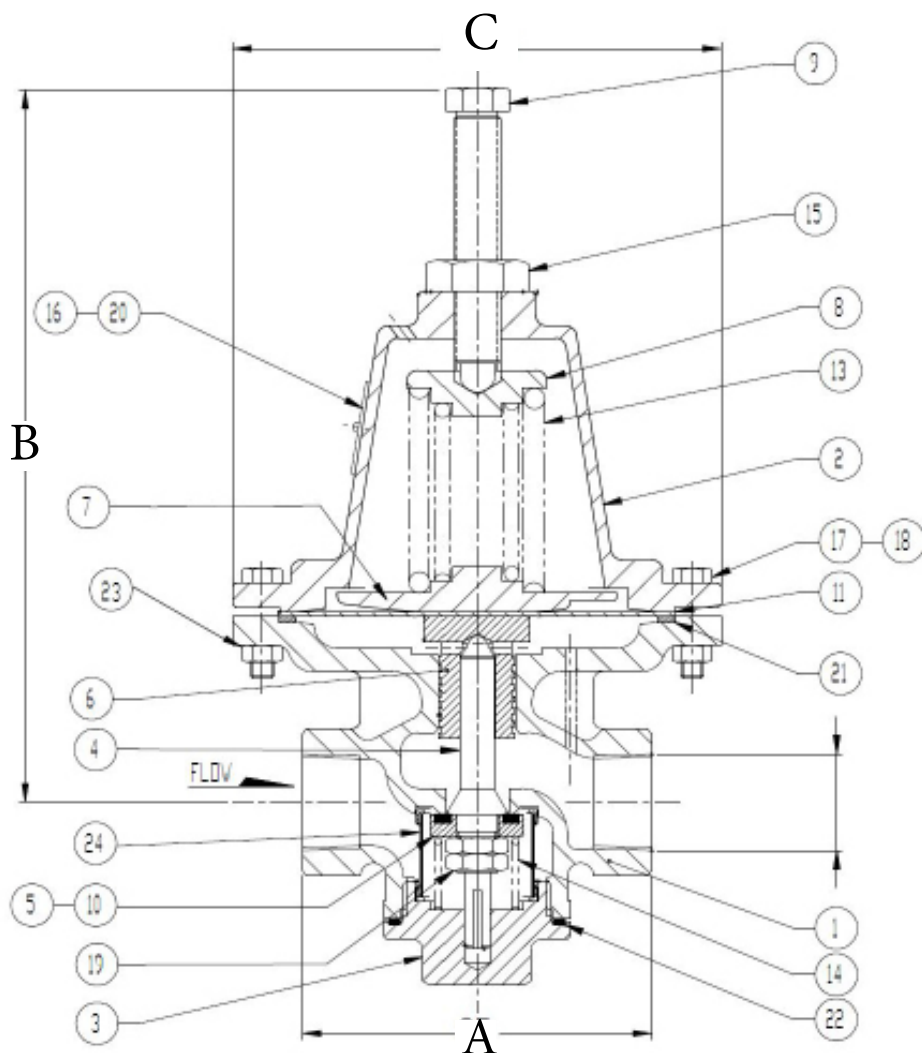
Mack's Cryogenic Pressure build and reducing valves are suitable for gas & oxygen service and are available in both Bronze and SS. Available with options of BSPT and NPT end connections, and in sizes from 15mm to 25mm; various materials (HTB1, Monel) are available upon request.

*Standard models only operate up to 2,500 Kpa, with a unique model available for this wosure.

PRODUCT NUMBERING

Pressure Build & Reducing Valve						
77	-	#	#	##	-	###
Base No.	-	Body Material	Trim	End Connection		- Size
	1	Bronze	2 BR	08	BSPT	015
	2	Stainless Steel	3 SS	8A	NPT	020
						025

All build options are available from Mack on special order, thus enabling clients to create their own specifications for their own specific needs, but our stock is based around common material specifications favoured by the cryogenic, steam and general process industries.



ITEM NO.	DESCRIPTION
1	Body
2	Spring Cover
3	Bottom Cap
4	Spindle
5	Disc Holder
6	Bottom Diaphragm Pad
7	Diaphragm Pad
8	Spring Pad
9	DAdjusting Screw
10	Disc
11	Diaphragm
13	Spring
14	Balance Spring
15	Hex Locknut
16	Nameplate
17	Hex Bolt
18	Hex Nut
19	Hex Locknut
20	Drive Pin
21	Gasket
22	Gasket
23	Washer
24*	Screen Assembly
25	Screen End Cap
26	Screen
27	Mesh Insert (100 Mesh)

*Screen only for 15/20mm valve

Dimensions

	Face to Face (A)	(B)	(C)	Cv	Kv	Weight
				US Gal/Min	m ³ /hr	
15mm	95.0	200	134	1.5	1.3	4.7
20mm	95.0	200	134	3.3	2.8	4.7
25mm	102.0	240	159	6.7	5.8	8.1

Notes:

- 1) Degreased, Packed and labelled for Oxygen Services (ASTM G93)
- 2) Designed in accordance with EN12516 part 1, 2 & 4, AS1210, AS1271, ASME 16.24, ASME B16.34
- 3) End Connection: ISO 7-1, ASME B1.20.1
- 4) Tested to API 598
- 5) CE, Pressure Equipment Directive (97/23/EC)

