

Ball Valves and Spare Parts

Type 15C01 - Ball Valve full bore



Cryogenic Ball Valve

Unidirectional ball valve to be installed in flow direction with upstream pressure relief hole.
 Socket weld connection for stainless steel pipes acc. to ISO 1127 or ASTM A312
 Butt weld connection for stainless steel pipes acc. to ISO 1127 or ASTM A312
 Female thread type NPT acc. to ANSI 1.20.1
 Female thread type G (BSPP) acc. to ISO 228/1
 Marking acc. to EN 1626
 "cleaned and degreased for oxygen service"

Available accessories:

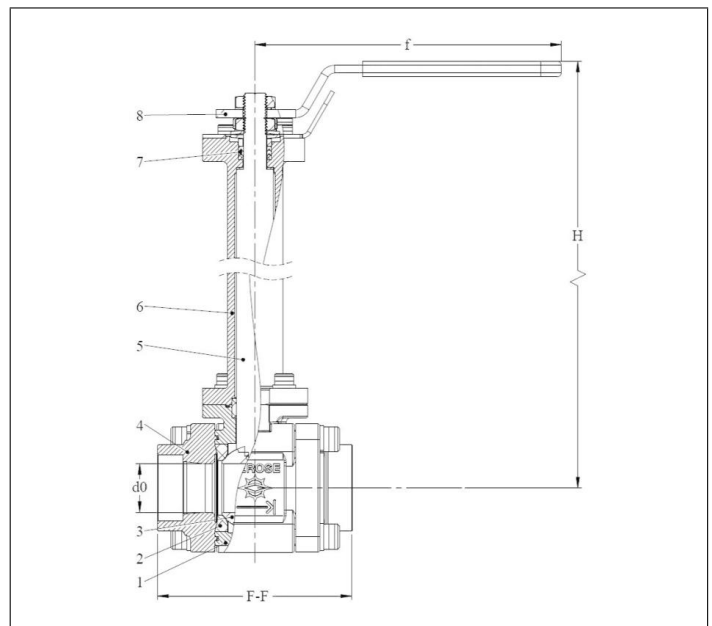
- Lock for locking device type 55394.0019.0302



Applications:

Approved for air gases, vapours and cryogenic liquefied gases.
 Working temperature: -196°C / -321°F (77K) up to +65°C / +149°F (338K)

Materials	DIN EN	ASTM
1 Body	1.4409	A 351 CF3M
2 Ball seal	PCTFE	
3 Ball	1.4401	A 479 Grade 316
4 Side connection	1.4409	A 351 CF3M
5 Stem	1.4404	A 479 Grade 316
6 Bonnet extension	1.4409	A 351 CF3M
7 Gland packing	PTFE / Carbon filled (25%)	
8 Lever	1.4301	A 240 Grade 304



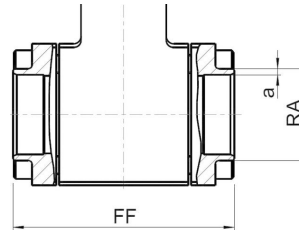
Technical data - Standard design							
Nominal size [DN]	Height (H) [mm]	Orifice (D ₀) [mm]	Weight [kg]	Kvs-value [m ³ /h]	Cv-value [gal/min]	Length (f) [mm]	
10	296	8.0	2.5	5.7	6.6	127	
15	296	14.5	2.5	10.7	12.4	127	
20	305	19.5	3.1	24.7	28.6	157	
25	310	25.0	3.8	32.1	37.1	157	
32	376	32.0	6.5	77.9	90.1	240	
40	380	38.0	7.3	122.3	141.4	240	
50	427	50.0	13.6	193.8	224.1	420	

Ball Valves and Spare Parts

Type 15C01 - Ball Valve full bore



Connection types



Butt weld connection acc. to
· ISO 1127

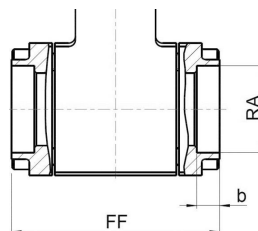
DN	Nominal Pressure [PN]	Face-to-face dim. (FF) [mm]	Outside pipe-Ø ISO (RA) [mm]	Wall thickness pipe ISO (a) [mm]	Part No.
10	100	65	13.5	2.0	15C01.A003.000002
15	50	70	21.3	2.0	15C01.A001.000002
20	100	85	26.3	2.0	15C01.A003.000014
25	50	100	33.7	2.0	15C01.A001.000006
32	70	115	42.4	2.6	15C01.A002.000008
40	70	125	48.3	3.2	15C01.A002.000014
50	50	150	60.3	2.9	15C01.A001.000010

Butt weld connection acc. to
· ASTM A312

DN	Nominal Pressure [PN]	Face-to-face dim. (FF) [mm]	Outside pipe-Ø ASTM (RA) [mm]	Wall thickness pipe ASTM (a) [mm]	Part No.
10	100	65	13.72	1.65	15C01.A003.000005
10	100	65	13.72	2.24	15C01.A003.000006
15	50	70	21.34	2.11	15C01.A001.000013
15	50	70	21.34	2.77	15C01.A001.000014
20	100	85	26.70	2.10	15C01.A003.000017
20	100	85	26.70	2.85	15C01.A003.000018
25	50	100	33.40	2.77	15C01.A001.000015
25	50	100	33.40	3.38	15C01.A001.000016
32	70	115	42.20	2.77	15C01.A002.000011
32	70	115	42.20	3.56	15C01.A002.000012
40	70	125	48.30	2.77	15C01.A002.000017
40	70	125	48.30	3.70	15C01.A002.000018
50	50	150	60.33	2.77	15C01.A001.000017
50	50	150	60.33	3.91	15C01.A001.000018

Ball Valves and Spare Parts

Type 15C01 - Ball Valve full bore



Socket weld connection acc. to

- ISO 1127
- ASTM A312

DN	Nominal Pressure [PN]	Face-to-face dim. (FF) [mm]	Socket depth (b) [mm]	Socket diameter (RA) [mm]	Part No.
10	100	65	6.0	14.1	15C01.A003.000001
15	50	70	10.0	21.3	15C01.A001.000001
20	100	85	13.0	27.5	15C01.A003.000013
25	50	100	13.0	33.7	15C01.A001.000005
32	70	115	13.0	38.2	15C01.A002.000007
40	70	125	13.0	48.7	15C01.A002.000013
50	50	150	16.0	60.3	15C01.A001.000009

Female thread type

- NPT acc. to ANSI 1.20.1
- G (BSPP) acc. to ISO 228/1

DN	Nominal Pressure [PN]	Face-to-face dim. (FF) [mm]	Thread size (GW) [mm]	Part No.
10	100	65	G 3/8	15C01.A003.000003
10	100	65	NPT 3/8	15C01.A003.000004
15	50	70	G 1/2	15C01.A001.000003
15	50	70	NPT 1/2	15C01.A001.000004
20	100	85	G 3/4	15C01.A003.000015
20	100	85	NPT 3/4	15C01.A003.000016
25	50	100	G 1	15C01.A001.000007
25	50	100	NPT 1	15C01.A001.000008
32	70	115	G 1 1/4	15C01.A002.000009
32	70	115	NPT 1 1/4	15C01.A002.000010
40	70	125	G 1 1/2	15C01.A002.000015
40	70	125	NPT 1 1/2	15C01.A002.000016
50	50	150	G 2	15C01.A001.000011
50	50	150	NPT 2	15C01.A001.000012