

Cryogenic, Steam, Water, Air & Gases
Working Pressure Rate for Flange
General process applications



Mack's 80 year history of quality and reliability extends through to our range of Cryogenic Bronze & SS Wafer Check Valves.

Far from being limited to the sizes available in the Mack range of globe style check valves, our wafer check valve range can accommodate applications all the way up to 450mm.

It's the same reliability and precision you have always depended upon, just bigger.

SELECTION & APPLICATION

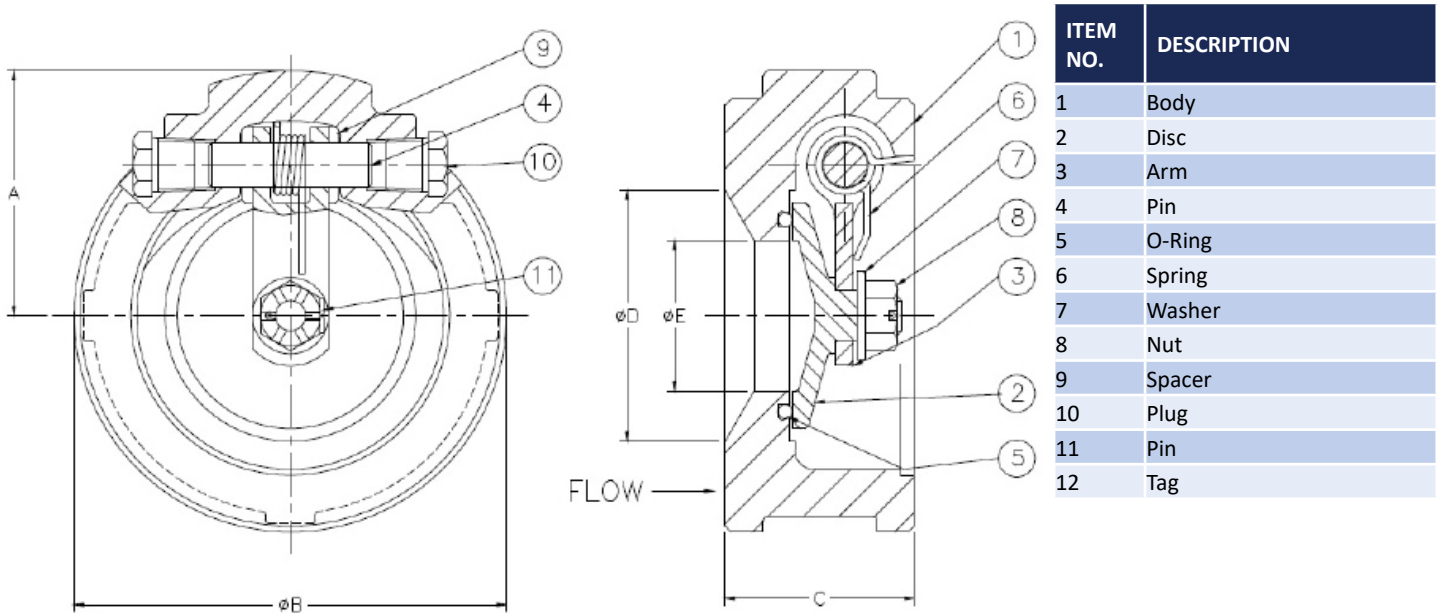
Mack's Cryogenic Bronze & SS Wafer check valves are suitable for liquid, gas & oxygen service, in sizes from 50mm through to 450mm, to suit both 150# and 300#. Various materials (HTB1, Monel) are available upon request.

PRODUCT NUMBERING

SWING CHECK VALVE											
SC	-	#	#		#		##		-	###	
Base No.	-	Body Material		Trim		Seals		End Connection*		-	Size
SC		1	Bronze	1	BR	N	Nitrile O-Ring	00	Table E		050
		3	Stainless Steel	3	SS	P	PTFE	1A	#150		080
		7	Cast Iron			V	Viton O-Ring	3A	#300		100 - 450

* Wafer checks are designed to go inbetween flanges. The connection refers to the flange rating of the related valve.

All build options are available from Mack on special order, thus enabling clients to create their own specifications for their own specific needs, but our stock is based around common material specifications favoured by the cryogenic, steam and general process industries.



ITEM NO.	DESCRIPTION
1	Body
2	Disc
3	Arm
4	Pin
5	O-Ring
6	Spring
7	Washer
8	Nut
9	Spacer
10	Plug
11	Pin
12	Tag

Dimensions & Properties										
	A	B			C	D	E	Cv	Kv	Weight
		Table E	#150	#300						
50mm	58	97	103	110	45	45	34	34	29	2.0
80mm	98	129	135	148	48	70	51	94	81	3.0
100mm	117	160	173	179	57	95	73	180	154	5.0
125mm	132	192	196	235	63	121	98	266	229	7.5
150mm	155	213	221	249	70	152	114	432	271	9.0
200mm	184	271	273	301	73	203	156	564	485	15
250mm	219	334	339	361	80	254	197	1092	939	32
300mm	254	381	409	421	95	305	241	1326	1140	40
350mm	260	438	450	485	108	256	286	1267	1090	65
400mm	279	495	514	539	108	406	318	1919	1651	98
450mm	311	559	548	596	108	457	356	2554	2197	112

Notes:

- 1) Degreased, packed and labelled for Oxygen Services (ASTM G93)
- 2) Designed in accordance with EN12516 part 1&2, AS1210, EN1626, ASME B16.34
- 3) End Connection: ISO 7-1, ASME B1.20.1, ASME B 16.11, ASME B16.25
- 4) Tested to ISO 5208, API 598, Pressure Equipment Directive (97/23/EC)

