

Water  
Working Pressure 0 - 2,000 kPa  
General process applications



At times when it is critical to know that flow is occurring, Mack's Flow-Switch will always keep you informed. With solid bronze body construction, and a powder coated cover, it is designed to stand a large range of environmental conditions to ensure it will be 100% reliable.

## SELECTION & APPLICATION

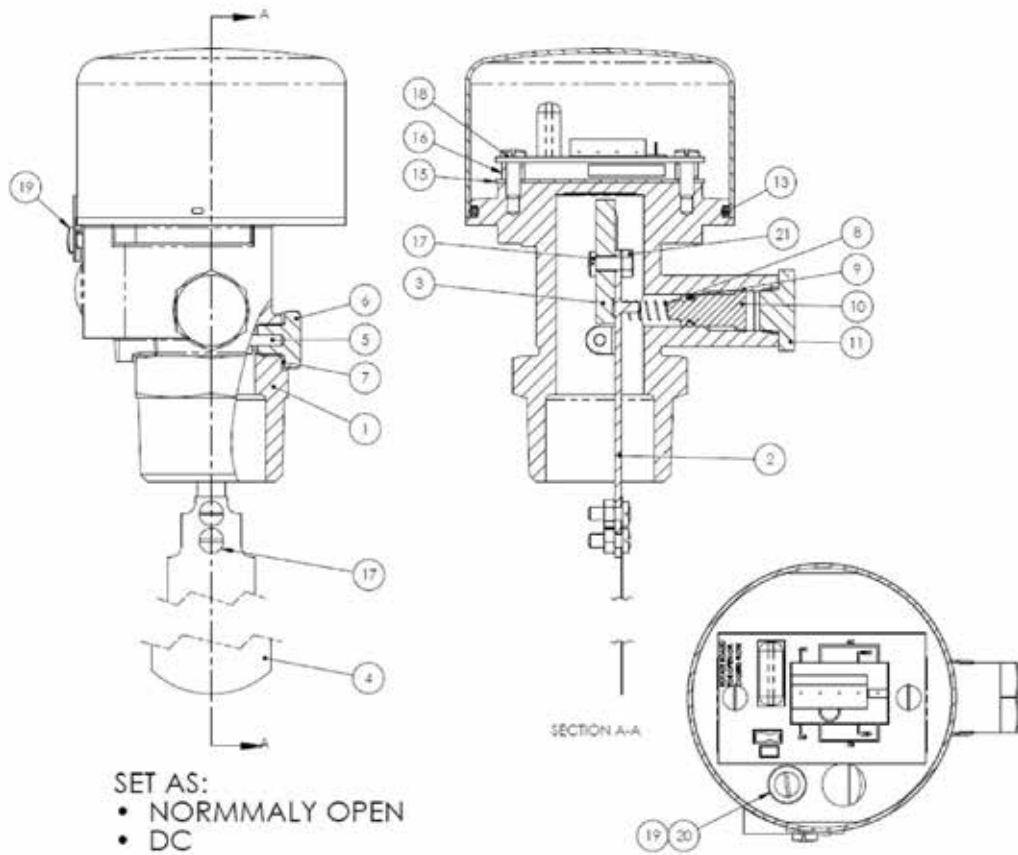
Mack's FlowSwitch is IP64 rated, designed to be used in tough conditions. Varying control modules will allow it to function according to the application, and is suited well to fire and general industry application.

Based on varying applications, modifications can be designed to meet specific requirements.

## PRODUCT NUMBERING

Flow Switch					
FS	-	#	##		- ###
Base No.	-	Material of Construction	Operative Function		- Size
	1	Stainless Steel	ACLC1		025
	2	Bronze	ACX		032
			HD		
			T		
			TD		

All build options are available from Mack on special order, thus enabling clients to create their own specifications for their own specific needs, but our stock is based around common material specifications favoured by the cryogenic, steam and general process industries.



ITEM NO.	DESCRIPTION
1	Body
2	Paddle Arm
3	Magnet
4	Paddle
5	HInge Pin
6	Plug
7	Washer
8	Spring
9	O-Ring
10	Adjuster
11	Cap
12	Cover
13	O-Ring
14	Circuit Board
15	Insulator
16	Spacer
17	Screw
18	Screw
19	Screw
20	Washer
21	Hex Nut

### Dimensions & Properties

	Weight (Kg)
25mm/32mm	1.25

Notes:  
1)

