

67 SERIES 'Y' TYPE STRAINER

Cryogenic, Steam, Water, Air & Gases
Working Pressure XX - XX Kpa
General process applications



Relying on Mack to safeguard the integrity of your process is second nature, and extending that safeguard to include our range of cryogenic strainers enhances your peace of mind.

Available in both "Y" Type and Angled Type configurations the large basket areas result in low pressure losses. The robust cap and body designs also result in low cost line servicing.

Our strainer can also be configured with flanged end connections, making it suitable no matter the application.

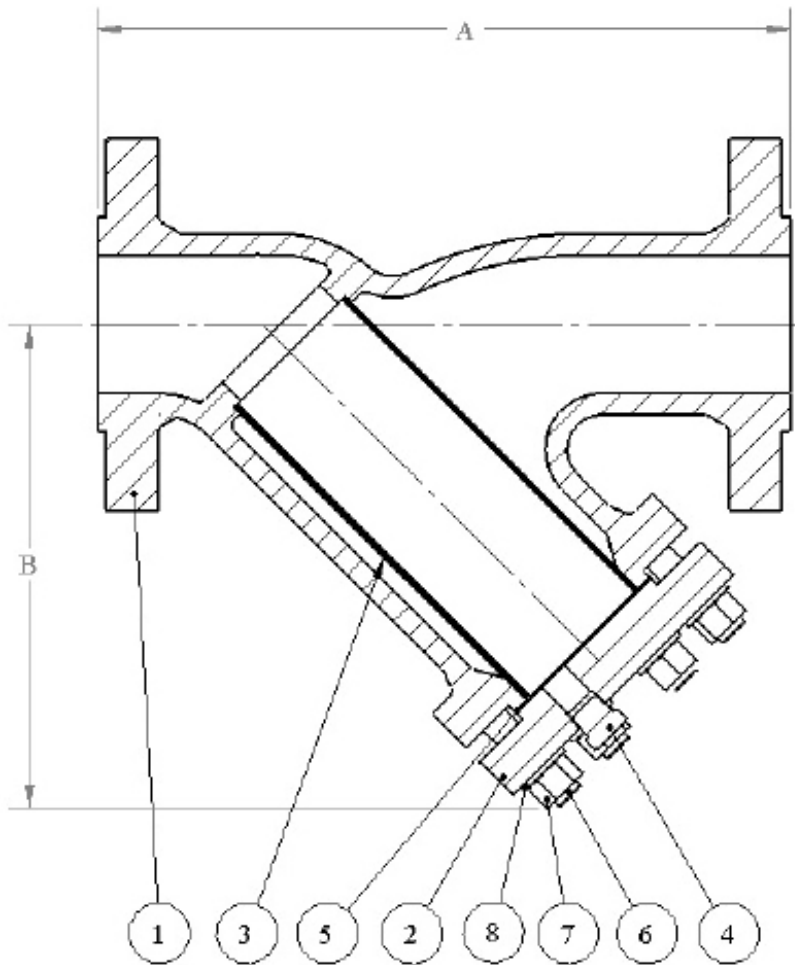
SELECTION & APPLICATION

Mack's Cryogenic Bronze & SS "Y" & Angled type strainers are suitable for a range of applications including liquids and gases in sizes 8mm through to 350mm, in screwed BSPT and flanged. The mesh is available in various sizes and various materials including steel, ductile & cast iron. Other special alloys are available upon request.

PRODUCT NUMBERING

Y Strainer						
67	-	#	#	##	-	###
Base No.	-	Material of Construction	Service	End Connection	-	Size
	1	Bronze	1 Cryogenic/Gas	08 BSPT		15
	3	Stainless Steel	2 Other	8A NPT		20
				1 Table F		25
				2 Table H		40
				1A #125 (CI) / #150 (OTHER)		50
				2A #250 (CI)		80
				3A #300		100
				6A #600		150

All build options are available from Mack on special order, thus enabling clients to create their own specifications for their own specific needs, but our stock is based around common material specifications favoured by the cryogenic, steam and general process industries.



ITEM NO.	DESCRIPTION
1	Body
2	Cap
3	Screen
4	Plug
5	Gasket (optional)
6	Studs (large valves)
7	Nuts (large valves)
8	washers (large valves)

Dimensions & Properties							
	Screwed		Flanged		Cv	Kv	Weight
	A	B	A*	B			
15mm	76	64	152	67			
20mm	86	73	152	76			
25mm	102	86	152	76			
40mm	146	152	191	118			
50mm	216	220	210	187			
80mm			267	222			
100mm			349	286			
150mm			461	398			
200mm			556	514			
250mm			648	635			
300mm			997	895			

Notes:

- 1) *Dimension is for flanged table H bronze product
- 2) Some material and flange types may require product with slightly different dimensions
- 3) Where for oxygen application, it is degreased, packed and labelled for Oxygen Services (ASTM G93)

